

Model:YWF(K)6D720-GH

Fan type:AC Backward curved centrifugal fan



Manufactory:Zhejiang MingZhen Electric & Electronic Co., Ltd.

ADD:The Central Industry Zone, Chengnan Town, WenLing City, Zhejiang Province, China

TEL:0086-576-86268888

FAX:0086-576-86268020

Mail:info1@cnsanmu.com

WEB:http://www.cnsanmu.com

Fan Introduction

This product consist of outer rotor(AC)motor, backward curved centrifugal impeller, with features of compact structure, large airflow, high static pressure, low vibration, low noise, convenient installation, energy saving, high efficiency etc..

Scope of application

General purpose fan, can be widely used in purification of air conditioning systems, ventilation duct dust, environmental protection, refrigeration equipment and other fields.

Environmental requirements

- Operating ambient temperature range:-25℃~+70℃
- Working environment humidity range:≤90%
- Transportation and storage temperature range:-40℃~+80℃
- Transportation and storage environment humidity range:≤80%
- The storage place is well ventilated, corrosive gases not contained.

Model:YWF(K)6D720-GH

Fan type:AC Backward curved centrifugal fan

Design, manufacturing, testing standards and certification

- JB/T 10563 Technical specification for general purposes centrifugal fans
- GB/T 14711 Safety requirements of small and medium size rotating electrical machines
- GB/T 755/IEC60034-1 Rotating electrical machines - Part 1: Rating and performance
- GB 4706.32-2012/IEC 60335-2-40:2005 Household and similar electrical appliances - Safety - Part 2-40: Particular requirements for electrical heat pumps, air-conditioners and dehumidifiers
- Balance quality grade for rotor is G6.3, in accordance with ISO 1940-1,
- Vibration testing and velocity is performed according to JB/T 8689.
- This product is certified by China CCC and EU CE
- ISO 9001 quality system certification

Technical features

Mass	54 kg
Size	φ720 mm
Impeller material	cold rolled sheet steel
Rotation	Counter-clockwise(Seen from cable exit)
Protection class	IP54
Insulation class	F
Mounting	Shaft horizontal or rotor on bottom; rotor on top on request
Mode of operation	S1(Continuous operation)
Bearings	Maintenance-free ball bearings
Thermal protector	Can be built in or out of line according to requirements

Structures

Inlet type	Single Inlet
Impeller type	Backward curved impeller
Housing	Without housing; With inlet ring;

Technical parameters

Supply	3P,200~240/380~440V △/Y
Frequency	50 Hz
Motor poles	6

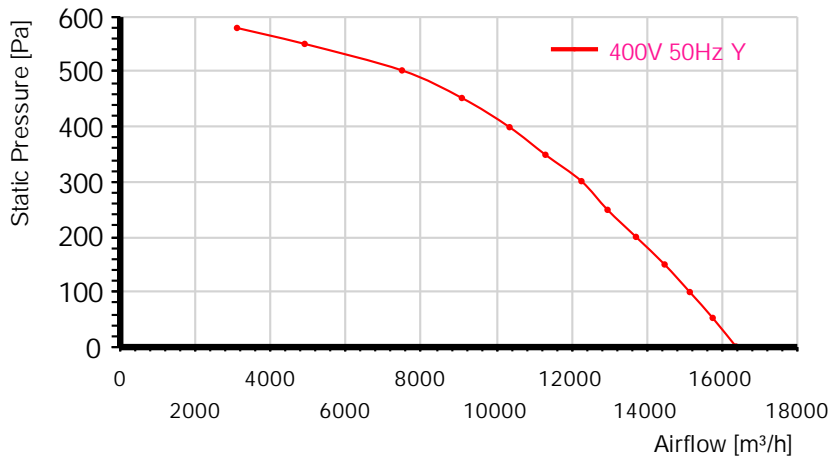
Model: YWF(K)6D720-GH

Fan type: AC Backward curved centrifugal fan

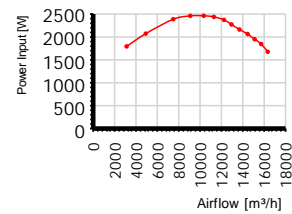
Rated voltage	230/400 VAC
Power input	2200 W
Rated current	7.3/4.2 A
Rated speed	930 r/min
Max airflow	16800 m ³ /h (Static pressure=0Pa)
Acoustic	79 dB(A) measured at 1.0m from inlet side

Performance curve

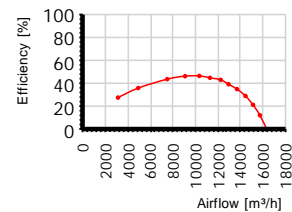
Airflow curve



Power input curve



Efficiency on static pressure



Performance test with reference to GB/T 1236-2017, equivalent to ISO 5801

TestID	2016062402			Connection	Y
Test environment					
Outlet size	Outlet area	Temperature	Humidity	Baropressure	Density
735mm	0.4243m ²	34°C	65%	100.2kPa	1.2kg/m ³

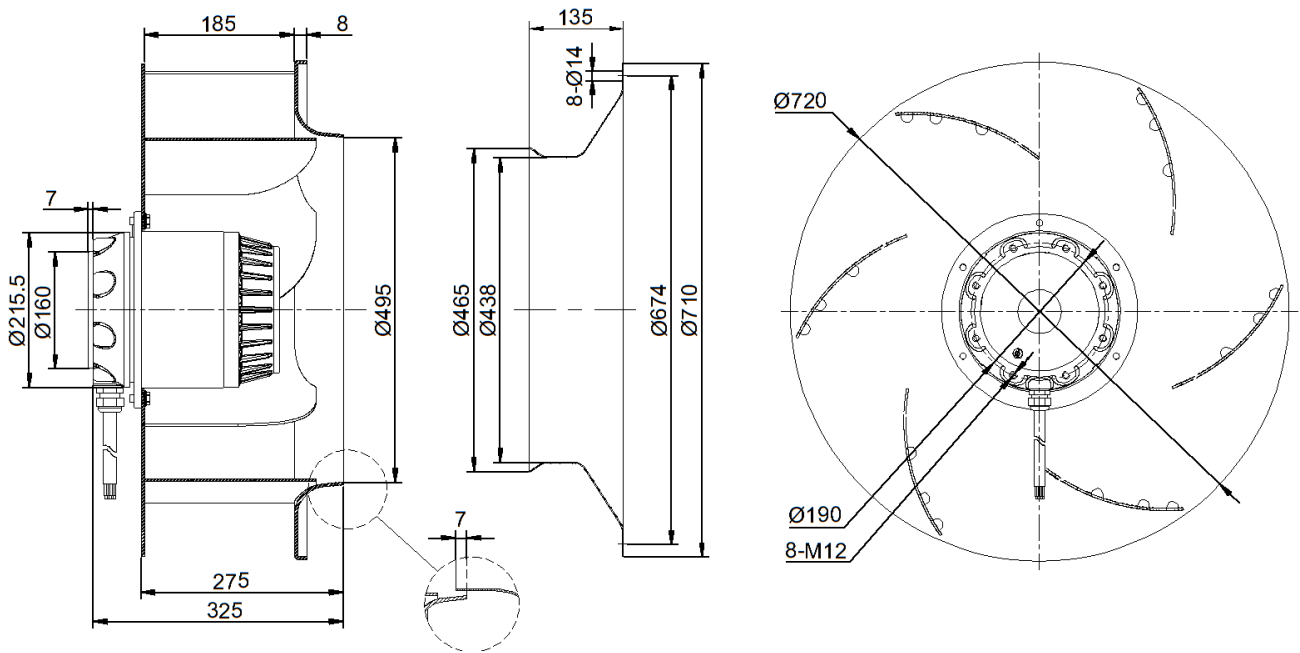
Test data										
Voltage	Frequency	Speed	Power input	Current	Airflow	Static pressure	Dynamic pressure	Total pressure	Pressure Difference	Nozzle Size
V	Hz	r/min	W	A	m ³ /h	Pa	Pa	Pa	Pa	mm
400.4	50	953	1794	3.71	3101	579	2	582	208	150+189*1
400.4	50	944	2073	3.99	4901	550	6	556	200	150+189*2
402.1	50	936	2384	4.36	7487	502	14	515	244	150+189*3
396.5	50	931	2456	4.47	9078	452	20	472	221	150+189*4
400.3	50	933	2458	4.48	10344	399	26	425	286	150+189*4
401	50	935	2435	4.44	11299	349	31	380	231	150+189*5
405.3	50	939	2369	4.38	12256	301	36	337	272	150+189*5
401.3	50	941	2271	4.23	12948	249	40	290	219	150+189*6

Model: YWF(K)6D720-GH

Fan type: AC Backward curved centrifugal fan

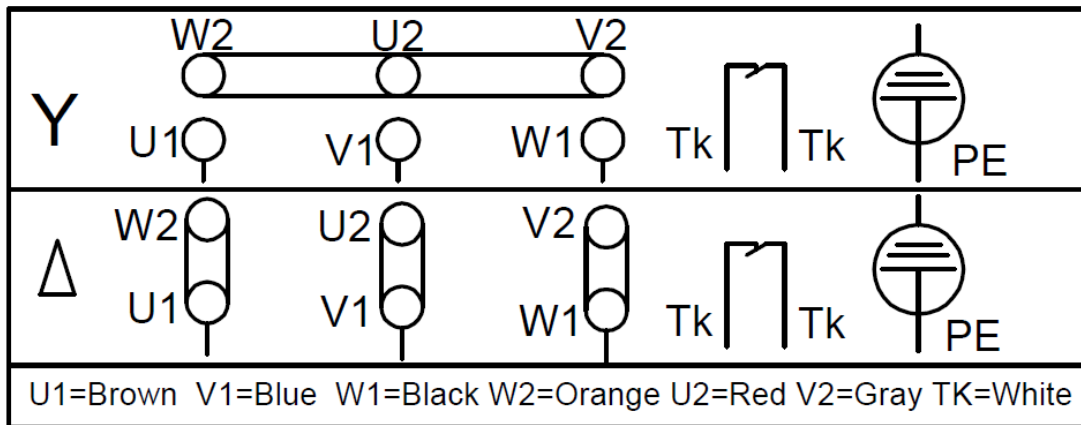
401.5	50	944	2161	4.11	13704	200	45	245	245	150+189*6
402.2	50	947	2063	4.03	14464	150	50	201	273	150+189*6
402.8	50	951	1950	3.9	15133	100	55	156	299	150+189*6
402.3	50	953	1847	3.8	15744	53	60	113	323	150+189*6
401.6	50	958	1679	3.63	16362	1	64	66	349	150+189*6

Dimensions(in mm)



Wiring diagram

WIRING DIAGRAM



Model:YWF(K)6D720-GH

Fan type:AC Backward curved centrifugal fan

Attentions

- ★Please check the appearance and the accessories if there is no damage before use, check the model is consistent with requirements;
- ★Keep reliable grounding according to the wiring diagram. to avoid motor burning and personal accident, please check wiring is loose or fall off;
- ★For AC fans powered by three-phase supply, please confirm the power connection phase sequence before use to ensure that the motor rotation direction is consistent with the marked rotation direction (the motor rotation direction can be changed by reversing any two-phase phase sequence of the power supply);
- ★Before connect the power supply, check whether the motor is reliable, otherwise it will cause motor damage and personal injury;
- ★It is forbidden to pull the power cable, if the power cable is damaged, to be repaired before use, to avoid the accident of electric shock;
- ★Drop or impact motor is forbidden;
- ★Washing motor with water is prohibited, it will reduce the motor insulation level, even lead to electric leakage even endanger personal safety;
- ★Special customized product is designed for specified requirements, please consult with our engineers before change useage;
- ★The temperature of the motor shell may be higher in a short time after the fan stopped, Please avoid direct contact with the motor surface. If necessary, please take protective measures to prevent scald;
- ★Do not contact the impeller when the fan running, you need to wait for all the parts stopped before operate it;
- ★When the fan is installed, check and ensure thers is no debris in the shell and other shell body, keep the fan clean;
- ★After the fan installation complete, before connected to supply, please confirm that there is no collision or interference or stuck.

Model:YWF(K)6D720-GH

Fan type:AC Backward curved centrifugal fan

Service life, maintenance, warranty and Disclaimer

- The design life of this product is 40,000 hours. This data is derived from the expected life of L10 for general ball bearings at 40°C is 40,000 hours. The actual service life of the product is affected by the use environment (temperature, humidity, installation, bearing load, etc.).
- According to the use of the environment, please make a clean maintenance every 3~6 months.
- From the date of purchase (order delivery date), The warranty period is one year. During this period, for failure due to the quality of the product itself, we provide free replacement or repairing. If the damage caused by improper disassembly, transportation, artificial damage or natural disasters, etc., is not in the scope of this warranty;
- All AC fans should be used according to the specified voltage range and power frequency. It is not recommended to use frequency converters and voltage regulators as speed control devices. If necessary, you need to make technical confirmation with our sales before placing an order. The use of unconfirmed speed control devices leads to the reduction of product life, abnormal noise, operating failures, etc., which are not covered by this warranty;